

## Declaration of Change

Greenwood-Power  
Industriestraße B 6-8  
A-2345 Brunn am Gebirge

### Product range

**VxxxX-xx – Series – Nonconventional voltage transformers**

**ExxxX-xx – series – Nonconventional current transformers**

Following List, shows the articles with changes

Type	GWP-short OLD	GWP-short NEW	Country of origin
Voltage sensor, 24kV, type C cone	T240C-xx	V240C-xx-xxxx	Austria
Voltage sensor, 24kV, short cone	T240K-xx	V240K-xx-xxxx	Austria
Voltage sensor, 12kV, type C cone	T120C-xx	V120C-xx-xxxx	Austria
Voltage sensor, 12kV, short cone	T120K-xx	V120K-xx-xxxx	Austria
Phase current sensor, Ring type	N030R-22M	E030R-22M-1205	Hungary

## General Changes

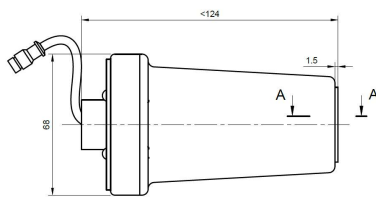
The complete electrical behaviour and internal assembly, stays the same for all products. Look of products and dimensions have been optimized

The last 4 position identifier “xxxx”, is a four digit number, which identifies the product characteristics completely.

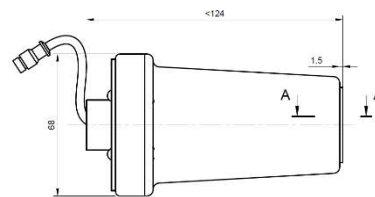
### ***Voltage sensor, 24kV and 12kV, type C cone***

Old Name: T240C-xx / T120C-xx

New Name: V240C-xx-xxxx / V120C-xx-xxxx



T240C-xx / T120C-xx  
(OLD)



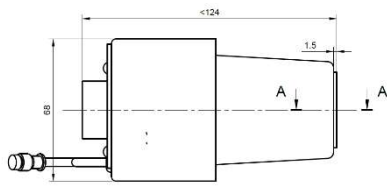
V240C-xx-xxxx / V120C-xx-xxxx  
(NEW)

### Changes

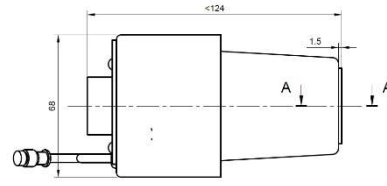
- Type label will be laser marked, no dimension changes

## Voltage sensor, 24kV, short cone

Old Name: T240K-xx / T120K-xx    New Name: V240K-xx-xxxx / V120K-xx-xxxx



T240K-xx / T120K-xx  
(OLD)



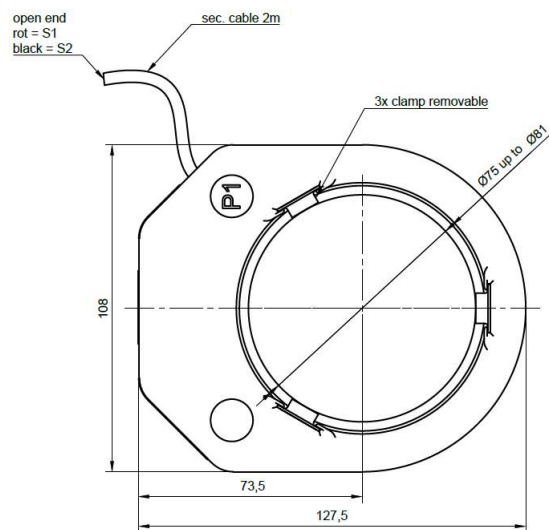
V240K-xx-xxxx / V120K-xx-xxxx  
(NEW)

### Changes

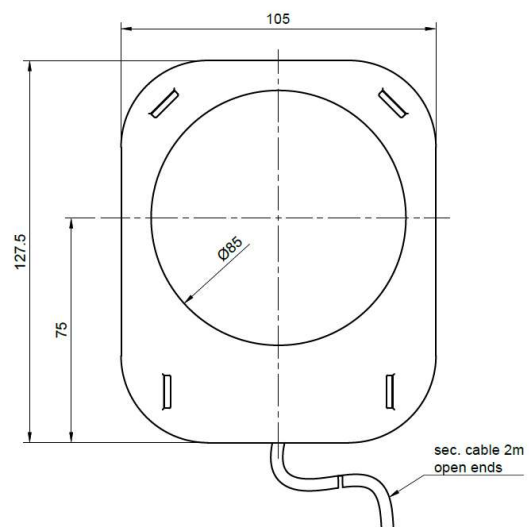
- Type label will be laser marked, no dimensional changes

## Phase-current sensor, ring type

Old Name: N030R-22M    New Name: E030R-22M-1205



N030R-22M  
(OLD)



E030R-22M-1205  
(NEW)

### Changes

- With changed from 108mm to 105mm, height changed from 28mm to 30.5mm
- Inner diameter has been increased from 81mm to 85mm